



aiia Transformer

PRODUCT DATASHEET

COMMON MODE CHOKES

AUU09 SERIES



Feature

Rated voltage [V]: 85 TO 265 VAC, 50/60Hz

Insulation resistance: 100mY M in at 500DC

Turns ratio: N1:N2=1:1±2%

Test frequency Response: 10K Hz, 100mV

Hi-pot: Pri-Sec: 1500Vac/3mA/2 Second

Operating temperature range:-40°C to +105°C

Temperature Rise: 40°C Max

All parts meet ROHS compliance

Product Identification

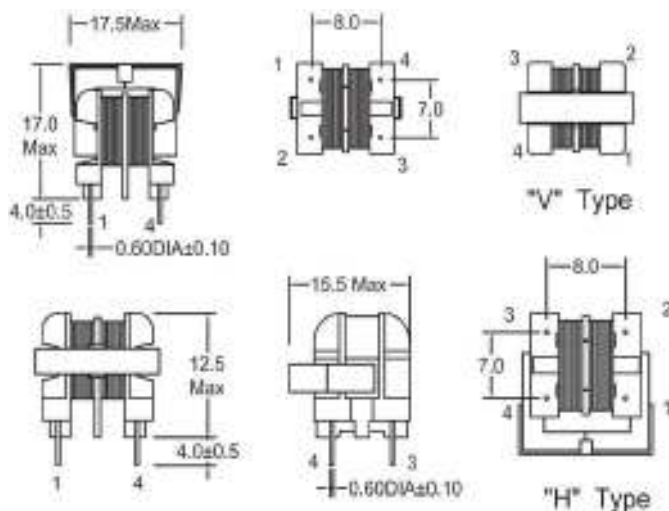
UU	a: Series name
09	b: Product dimensions
V/H	c: V is vertical form, H is the horizontal form
103	d: Inductance Value [101: uH, 102: 1000uH, 103: 10000uH]
Y	e: minimum value
OR2	f: Rated current [OR 2:0.2A, 1.2A, 10R 2: 12A]

ELECTRICAL CHARACTERISTICS

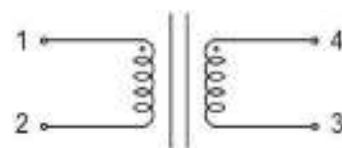
Part Number	Inductance [mH] Min	D.C.Resistance [Ω] Typ at 20°C	Rated Current [mA]
AUU 09V-333Y OR1	33	5.5	100
AUU 09V-273Y OR15	27	3.5	150
AUU 09V-203Y OR2	20	2.4	200
AUU 09V-152Y OR3	15	1.5	300
AUU 09V-103Y OR4	10	1	400
AUU 09V-602Y OR5	6	0.5	500
AUU 09V-352Y OR6	3.5	0.38	600
AUU 09V-252Y OR7	2.5	0.25	700
AUU 09V-152Y OR8	1.5	0.19	800
AUU 09V-102Y OR9	1	0.15	900
AUU 09V-801Y 1R1	0.8	0.11	1000
AUU 09V-701Y 1R2	0.7	0.09	1200
AUU 09V-501Y 1R3	0.5	0.07	1300

Part Number	Inductance [mH] Min	D.C.Resistance [Ω] Typ at 20°C	Rated Current [mA]
AUU 09H-333Y OR1	33	5.5	100
AUU 09H-273Y OR15	27	3.5	150
AUU 09H-203Y OR2	20	2.4	200
AUU 09H-152Y OR3	15	1.5	300
AUU 09H-103Y OR4	10	1	400
AUU 09H-602Y OR5	6	0.5	500
AUU 09H-352Y OR6	3.5	0.38	600
AUU 09H-252Y OR7	2.5	0.25	700
AUU 09H-152Y OR8	1.5	0.19	800
AUU 09H-102Y OR9	1	0.15	900
AUU 09H-801Y 1R1	0.8	0.11	1000
AUU 09H-701Y 1R2	0.7	0.09	1200
AUU 09H-501Y 1R3	0.5	0.07	1300

TECHNICAL INFORMATION



CURCUIT MAP



Dimensions in mm
Tolerance: .X ±0.50
.XX ±0.25



aiia Transformer

PRODUCT DATASHEET

COMMON MODE CHOKES

AUU10 SERIES



Feature

- Rated voltage [V]: 85 TO 265 VAC, 50/60Hz
- Insulation resistance: 100mY M in at 500DC
- Turns ratio: N1:N2=1:1±2%
- Test frequency Response: 10K Hz, 100mV
- Hi-pot: Pri-Sec: 2500Vac/1mA/60 Second
- Operating temperature range: -40°C to +105°C
- Temperature Rise: 40°C Max
- All parts meet ROHS compliance

Product Identification

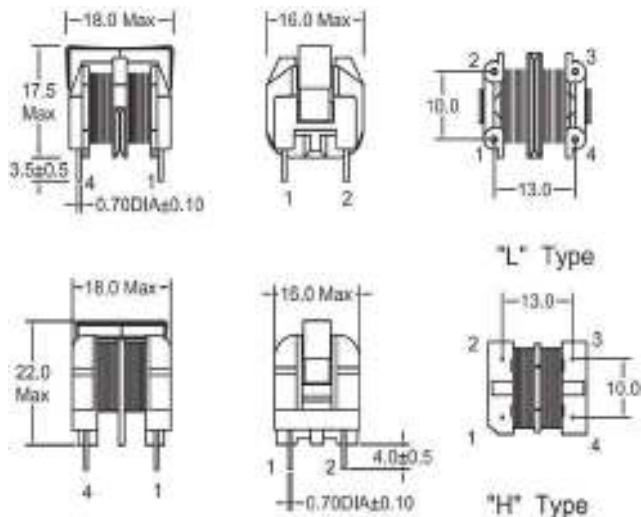
- UU** a: Series name
- 10** b: Product dimensions
- VH/VL** c: VH is vertical high form, VL is the vertical low form
- 103** d: Inductance Value [101: uH, 102: 1000uH, 103: 10000uH
- Y** e: minimum value
- OR5** f: Rated current [OR 2:0.2A, 1.2A, 10R 2: 12A

ELECTRICAL CHARACTERISTICS

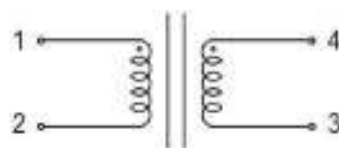
Part Number	Inductance [mH] Min	D.C.Resistance [Ω] Typ at 20°C	Rated Current [mA]
AUU 10VH-433Y OR25	43	3.55	250
AUU 10VH-303Y OR3	30	2.45	300
AUU 10VH-203Y OR35	20	1.8	350
AUU 10VH-153Y OR4	15	1.34	400
AUU 10VH-103Y OR5	10	0.84	500
AUU 10VH-742Y OR6	7.4	0.59	600
AUU 10VH-502Y OR7	5	0.41	700
AUU 10VH-352Y OR8	3.5	0.29	800
AUU 10VH-302Y OR9	3	0.25	900
AUU 10VH-222Y OR0	2	0.19	1000
AUU 10VH-182Y 1R2	1.8	0.14	1200
AUU 10VH-152Y 1R3	1.5	0.12	1300
AUU 10VH-102Y 1R5	1	0.087	1500

Part Number	Inductance [mH] Min	D.C.Resistance [Ω] Typ at 20°C	Rated Current [mA]
AUU 10VL-433Y OR25	43	3.55	250
AUU 10VL-303Y OR3	30	2.45	300
AUU 10VL-203Y OR35	20	1.8	350
AUU 10VL-153Y OR4	15	1.34	400
AUU 10VL-103Y OR5	10	0.84	500
AUU 10VL-742Y OR6	7.4	0.59	600
AUU 10VL-502Y OR7	5	0.41	700
AUU 10VL-352Y OR8	3.5	0.29	800
AUU 10VL-302Y OR9	3	0.25	900
AUU 10VL-222Y OR0	2	0.19	1000
AUU 10VL-182Y 1R2	1.8	0.14	1200
AUU 10VL-152Y 1R3	1.5	0.12	1300
AUU 10VL-102Y 1R5	1	0.087	1500

TECHNICAL INFORMATION



CURCUIT MAP



Dimensions in mm
Tolerance: .X ±0.50
.XX ±0.25



aiia Transformer

PRODUCT DATASHEET

COMMON MODE CHOKES

AUU16 SERIES



Feature

Rated voltage [V]: 85 TO 265 VAC, 50/60Hz

Insulation resistance: 100mY M in at 500DC

Turns ratio: N1:N2=1:1±2%

Test frequency Response: 10K Hz, 100mV

Hi-pot: Pri-Sec: 2500Vac/1mA/60 Second

Operating temperature range: -40°C to +105°C

Temperature Rise: 40°C Max

All parts meet ROHS compliance

Product Identification

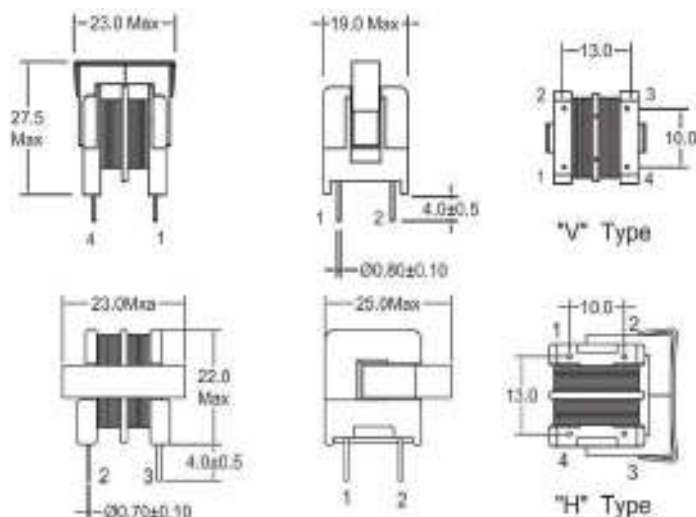
UU	a: Series name
16	b: Product dimensions
V/H	c: V is vertical form, H is the horizontal form
103	d: Inductance Value [101: uH, 102: 1000uH, 103: 10000uH
Y	e: minimum value
1R3	f: Rated current [OR 2:0.2A, 1.2A, 10R 2: 12A

ELECTRICAL CHARACTERISTICS

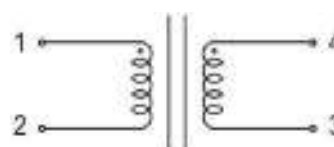
Part Number	Inductance [mH] Min	D.C.Resistance [Ω] Typ at 20°C	Rated Current [mA]
AUU 16V-503Y 0R5	50	1.87	500
AUU 16V-453Y 0R7	45	1.32	700
AUU 16V-333Y 0R8	33	0.98	800
AUU 16V-273Y 1R0	27	0.78	1000
AUU 16V-203Y 1R1	20	0.57	1100
AUU 16V-153Y 1R2	15	0.44	1200
AUU 16V-103Y 1R3	10	0.32	1300
AUU 16V-802Y 1R5	8	0.26	1500
AUU 16V-602Y 1R7	6	0.19	1700
AUU 16V-742Y 1R9	4.7	0.15	1900
AUU 16V-352Y 12R1	3.5	0.12	2100
AUU 16V-252Y 3R0	2.5	0.08	3000
AUU 16V-102Y 1R3	1	0.04	3300

Part Number	Inductance [mH] Min	D.C.Resistance [Ω] Typ at 20°C	Rated Current [mA]
AUU 16H-503Y 0R5	50	1.87	500
AUU 16H-453Y 0R7	45	1.32	700
AUU 16H-333Y 0R8	33	0.98	800
AUU 16H-273Y 1R0	27	0.78	1000
AUU 16H-203Y 1R1	20	0.57	1100
AUU 16H-153Y 1R2	15	0.44	1200
AUU 16H-103Y 1R3	10	0.32	1300
AUU 16H-802Y 1R5	8	0.26	1500
AUU 16H-602Y 1R7	6	0.19	1700
AUU 16H-742Y 1R9	4.7	0.15	1900
AUU 16H-352Y 12R1	3.5	0.12	2100
AUU 16H-252Y 3R0	2.5	0.08	3000
AUU 16H-102Y 1R3	1	0.04	3300

TECHNICAL INFORMATION



CIRCUIT MAP



Dimensions in mm
Tolerance: .X ±0.50
.XX ±0.25



aiia Transformer

PRODUCT DATASHEET

COMMON MODE CHOKES

AET24 SERIES



Feature

- Rated voltage [V]: 85 TO 265 VAC, 50/60Hz
- Insulation resistance: 100mY M in at 500DC
- Turns ratio: N1:N2=1:1±2%
- Test frequency Response: 10K Hz, 100mV
- Hi-pot: Pri-Sec: 1500Vac/3mA/2 Second
- Operating temperature range: -40°C to +105°C
- Temperature Rise: 50°C Max
- All parts meet ROHS compliance

Product Identification

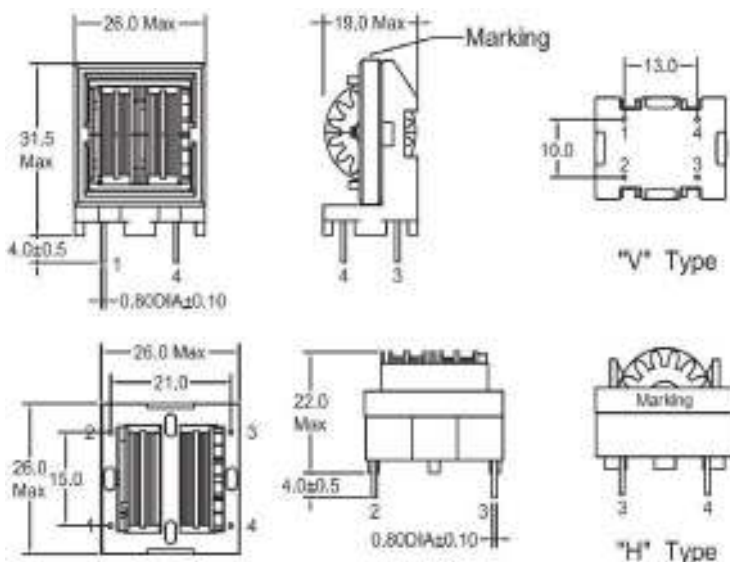
- ET** a: Series name
- 24** b: Product dimensions
- V/H** c: V is vertical form, H is the horizontal form
- 103** d: Inductance Value [101: uH, 102: 1000uH, 103: 10000uH
- Y** e: minimum value
- 1R2** f: Rated current [OR 2:0.2A, 1.2A, 10R 2: 12A

ELECTRICAL CHARACTERISTICS

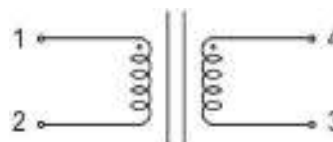
Part Number	Inductance [mH] Min	D.C.Resistance [Ω] Typ at 20°C	Rated Current [mA]
AET 24V-683Y 0R4	68	2.31	400
AET 24V-453Y 0R5	45	1.5	500
AET 24V-333Y 0R6	33	1.09	600
AET 24V-253Y 0R8	25	0.74	800
AET 24V-203Y 1R0	20	0.52	1000
AET 24V-103Y 1R2	10	0.28	1200
AET 24V-452Y 1R5	4.5	0.15	1500
AET 24V-392Y 1R8	3.9	0.12	1800
AET 24V-332Y 2R0	3.3	0.1	2000
AET 24V-242Y 2R5	2.4	0.07	2500

Part Number	Inductance [mH] Min	D.C.Resistance [Ω] Typ at 20°C	Rated Current [mA]
AET 24H-683Y 0R4	68	2.31	400
AET 24H-453Y 0R5	45	1.5	500
AET 24H-333Y 0R6	33	1.09	600
AET 24H-253Y 0R8	25	0.74	800
AET 24H-203Y 1R0	20	0.52	1000
AET 24H-103Y 1R2	10	0.28	1200
AET 24H-452Y 1R5	4.5	0.15	1500
AET 24H-392Y 1R8	3.9	0.12	1800
AET 24H-332Y 2R0	3.3	0.1	2000
AET 24H-242Y 2R5	2.4	0.07	2500

TECHNICAL INFORMATION



CURCUIT MAP



Dimensions in mm
Tolerance: .X ±0.50
.XX ±0.25



aiia Transformer

PRODUCT DATASHEET

COMMON MODE CHOKES

AET24 SERIES



Feature

Rated voltage [V]: 85 TO 265 VAC, 50/60Hz

Insulation resistance: 100mY M in at 500DC

Turns ratio: N1:N2=1:1±2%

Test frequency Response: 10K Hz, 100mV

Hi-pot: Pri-Sec: 1500Vac/3mA/2 Second

Operating temperature range: -40°C to +105°C

Temperature Rise: 50°C Max

All parts meet ROHS compliance

Product Identification

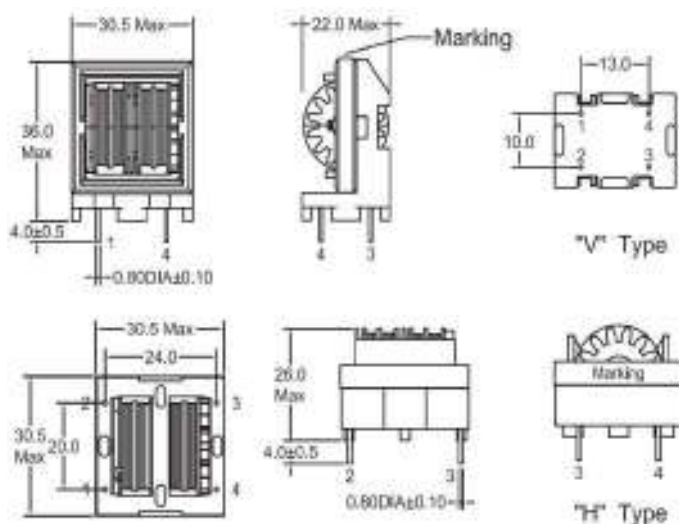
ET	a: Series name
28	b: Product dimensions
V/H	c: V is vertical form, H is the horizontal form
123	d: Inductance Value [101: uH, 102: 1000uH, 103: 10000uH]
Y	e: minimum value
1R8	f: Rated current [OR 2:0.2A, 1.2A, 10R 2: 12A]

ELECTRICAL CHARACTERISTICS

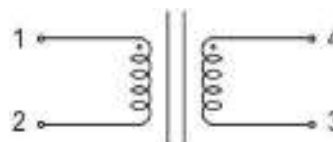
Part Number	Inductance [mH] Min	D.C.Resistance [Ω] Typ at 20°C	Rated Current [mA]
AET 28V-353Y 1R0	35	0.78	1000
AET 28V-253Y 0R2	25	0.55	1200
AET 28V-203Y 1R2	20	0.4	1500
AET 28V-123Y 1R8	12	0.27	1800
AET 28V-802Y 2R0	8	0.18	2000
AET 28V-562Y 2R5	5.6	0.13	2500
AET 28V-472Y 2R8	4.7	0.1	2800
AET 28V-332Y 3R0	3.3	0.09	3000
AET 28V-182Y 1R0	1.8	0.05	4000

Part Number	Inductance [mH] Min	D.C.Resistance [Ω] Typ at 20°C	Rated Current [mA]
AET 28H-353Y 1R0	35	0.78	1000
AET 28H-253Y 0R2	25	0.55	1200
AET 28H-203Y 1R2	20	0.4	1500
AET 28H-123Y 1R8	12	0.27	1800
AET 28H-802Y 2R0	8	0.18	2000
AET 28H-562Y 2R5	5.6	0.13	2500
AET 28H-472Y 2R8	4.7	0.1	2800
AET 28H-332Y 3R0	3.3	0.09	3000
AET 28H-182Y 1R0	1.8	0.05	4000

TECHNICAL INFORMATION



CURCUIT MAP



Dimensions in mm
Tolerance: .X ±0.50
.XX ±0.25



aiia Transformer

PRODUCT DATASHEET

COMMON MODE CHOKES

AET35 SERIES



Feature

- Rated voltage [V]: 85 TO 265 VAC, 50/60Hz
- Insulation resistance: 100mY M in at 500DC
- Turns ratio: N1:N2=1:1±2%
- Test frequency Response: 10K Hz, 100mV
- Hi-pot: Pri-Sec: 1500Vac/3mA/2 Second
- Operating temperature range: -40°C to +105°C
- Temperature Rise: 50°C Max
- All parts meet ROHS compliance

Product Identification

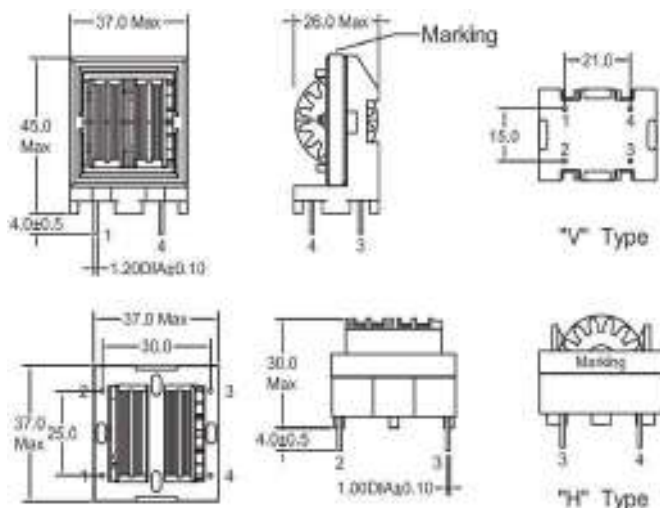
- ET** a: Series name
- 35** b: Product dimensions
- V/H** c: V is vertical form, H is the horizontal form
- 103** d: Inductance Value [101: uH, 102: 1000uH, 103: 10000uH
- Y** e: minimum value
- 2R7** f: Rated current [OR 2:0.2A, 1.2A, 10R 2: 12A

ELECTRICAL CHARACTERISTICS

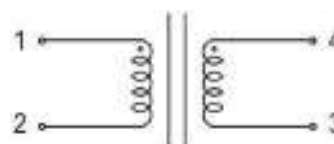
Part Number	Inductance [mH] Min	D.C.Resistance [Ω] Typ at 20°C	Rated Current [mA]
AET 35V-333Y 1R5	33	0.42	1500
AET 35V-223Y 1R8	22	0.3	1800
AET 35V-183Y 2R0	18	0.23	2000
AET 35V-153Y 2R2	12	0.21	2200
AET 35V-123Y 12R5	15	0.17	2500
AET 35V-103Y 7R7	10	0.13	2700
AET 35V-822Y 3R3	8.2	0.1	3300
AET 35V-562Y 3R5	5.6	0.08	3500
AET 35V-472Y 4R0	4.7	0.06	4000

Part Number	Inductance [mH] Min	D.C.Resistance [Ω] Typ at 20°C	Rated Current [mA]
AET 35H-333Y 1R5	33	0.42	1500
AET 35H-223Y 1R8	22	0.3	1800
AET 35H-183Y 2R0	18	0.23	2000
AET 35H-153Y 2R2	12	0.21	2200
AET 35H-123Y 12R5	15	0.17	2500
AET 35H-103Y 7R7	10	0.13	2700
AET 35H-822Y 3R3	8.2	0.1	3300
AET 35H-562Y 3R5	5.6	0.08	3500
AET 35H-472Y 4R0	4.7	0.06	4000

TECHNICAL INFORMATION



CURCUIT MAP



Dimensions in mm
Tolerance: .X ±0.50
.XX ±0.25