



aiia Transformer

## PRODUCT DATASHEET



# Single phase control transformer BK SERIES

## Features

Small size, safe and reliable wiring

High protection level, good performance

Be Able to work effectively in the rated load for a long time

20VA-70KVA

50Hz ~ 60Hz

Input: 220/380VAC or 240/480 VAC

Output: Customized according to requirement

## Applications

CNC machine

Elevator

LED lighting

Engraving/cutting machine

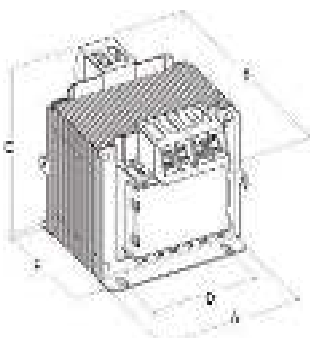
Robots

## ELECTRICAL CHARACTERISTICS

Power	Dimension		
	Overall Dimension AxBxC(mm)	Installation Dimension DxC(mm)	Installing Hole KxJ(mm)
20VA	78x58x90	56x41	5x9
25VA	78x63x91	56x46	5x9
50VA	78x72x92	56x55	5x9
63VA	86x82x95	64x56	5x9
100VA	84x86x95	64x53	5x9
100VA	89x100x95	64x69	5x10
150-160VA	96x100x110	85x71	5x10
200VA	96x106x110	85x77	5x10
250VA	96x114x110	85x85	5x10
250VA	114x97x130	95x80	6x10
300VA	133x105x135	110x80	6x10
400VA	114x112x130	95x95	6x10
400VA	133x110x135	110x85	6x10
500VA	133x120x135	110x95	6x10
550VA	150x110x145	100/120x80	6x10
600-630VA	150x115x145	100/120x85	6x10
650VA	150x120x145	100/120x90	6x10
700VA	150x120x145	100/120x90	6x10
800VA	150x130x145	100/120x100	6x10
830-900VA	150x140x145	100/120x110	6x10

Power	Dimension		
	Overall Dimension AxBxC(mm)	Installation Dimension DxC(mm)	Installing Hole KxJ(mm)
1000VA	150x140x145	100/120x110	6x10
1100VA	150x140x145	100/120x110	6x10
1200VA	150x150x145	100/120x120	6x10
1500VA	150x155x145	100/120x125	6x10
1800VA	192x180x190	160x120	8x20
1900VA	192x180x190	160x120	8x20
2000VA	192x180x190	160x120	8x20
2.5KVA	192x185x190	160x125	8x20
3KVA	192x200x190	160x140	8x20
4KVA	228x220x230	160x145	8x20
5KVA	240x240x240	180x150	8x20
6KVA	240x250x250	180x160	8x20
7KVA	270x280x270	200x170	8x25
8KVA	270x280x270	200x170	8x25
9KVA	270x280x270	200x175	8x25
10KVA	300x300x280	200x160	8x25
9-10KVA (double pillar)	300x300x400	200x165	8x20
11KVA (double pillar)	300x300x400	200x165	8x20
12KVA (double pillar)	300x320x400	200x180	8x20
13-15KVA (double pillar)	300x320x400	200x180	10x20
16-17KVA (double pillar)	350x350x400	200x195	10x20
18-20KVA (double pillar)	350x350x460	250x190	10x20
22KVA (double pillar)	350x350x460	250x190	10x20
25KVA (double pillar)	350x360x460	250x190	10x20
30KVA (double pillar)	400x410x510	250x230	10x20
35KVA (double pillar)	400x410x510	300x230	10x20
40KVA (double pillar)	400x410x510	300x230	10x20
45-50KVA (double pillar)	500x420x630	300x195	10x20
60KVA (double pillar)	500x440x630	300x225	10x20
70KVA (double pillar)	500x450x630	300x235	10x20

## PHYSICAL CHARACTERISTICS





aiia Transformer

**PRODUCT DATASHEET****Three phase control transformer SBK SERIES****Features**

Energy saving, safe and reliable wiring

High protection level, good performance

Be Able to work effectively in the rated load for a long time

50VA-50KVA

50Hz ~ 60Hz

Connection: Y/Y, Δ/Y, Δ/Δ, Y/Δ,

Input/Output: Customized according to requirement

**Applications**

SERVO drive power supply

Wind power generation

Photovoltaic power generation

Machinery industry

**ELECTRICAL CHARACTERISTICS**

Power	Dimension		
	Overall Dimension AxBxC(mm)	Installation Dimension DxC(mm)	Installing Hole KxJ(mm)
50VA	100x80x90	56x57	5x10
100VA	120x90x120	84x56	5x10
110-400VA	130x115x150	90x78	6x10
500VA	160x115x180	100x80	6x10
1KVA	210x150x210	110x85	8x14
1.5KVA	210x165x215	150x100	8x14
2KVA	240x180x240	150x95	8x15
2.5KVA	240x195x240	150x100	8x15
3KVA	300x210x285	150x125	8x15
3.5KVA	300x210x285	150x125	8x15
4KVA	300x215x285	150x130	8x15
4.5KVA	300x225x285	150x130	8x15
5KVA	300x220x285	150x140	8x15
5.5KVA	300x220x285	150x140	8x15
6KVA	300x225x285	150x145	8x15
7KVA	300x235x285	150x155	8x15
7.5KVA	300x235x285	150x155	8x15
8KVA	360x280x290	200x155	10x15

Power	Dimension		
	Overall Dimension AxBxC(mm)	Installation Dimension DxC(mm)	Installing Hole KxJ(mm)
9KVA	360x280x290	200x155	10x15
10KVA	360x300x350	200x160	10x15
11KVA	360x300x350	200x160	10x15
12KVA	360x300x350	200x165	10x15
13KVA	360x300x350	200x165	10x15
15KVA	420x280x400	300x160	10x20
16-17KVA	420x300x400	300x175	10x20
17-18KVA	420x300x400	300x175	10x20
20KVA	420x300x400	300x175	10x20
25KVA	420x300x400	300x190	10x20
30KVA	480x320x425	300x185	10x20
35KVA	480x340x425	300x205	10x20
40KVA	480x340x425	300x215	10x20
50KVA	550x360x510	300x235	12x25
55KVA	550x360x510	300x235	12x25
60KVA	550x360x510	300x235	12x25
70-80KVA	620x380x600	400x245	12x25
85KVA	620x380x600	400x245	12x25
90KVA	680x370x660	400x230	12x25
95KVA	680x370x660	400x230	12x25
100KVA	680x370x660	400x260	14x25
110-125KVA	740x380x620	500x255	14x25
130-160KVA	800x400x670	500x275	14x25
200KVA	800x460x800	550x280	14x25
300KVA	800x500x900	600x340	16x25
500KVA	900x600x900	800x350	20x30

**PHYSICAL CHARACTERISTICS**